

# Specification

**SF11-HB-B**

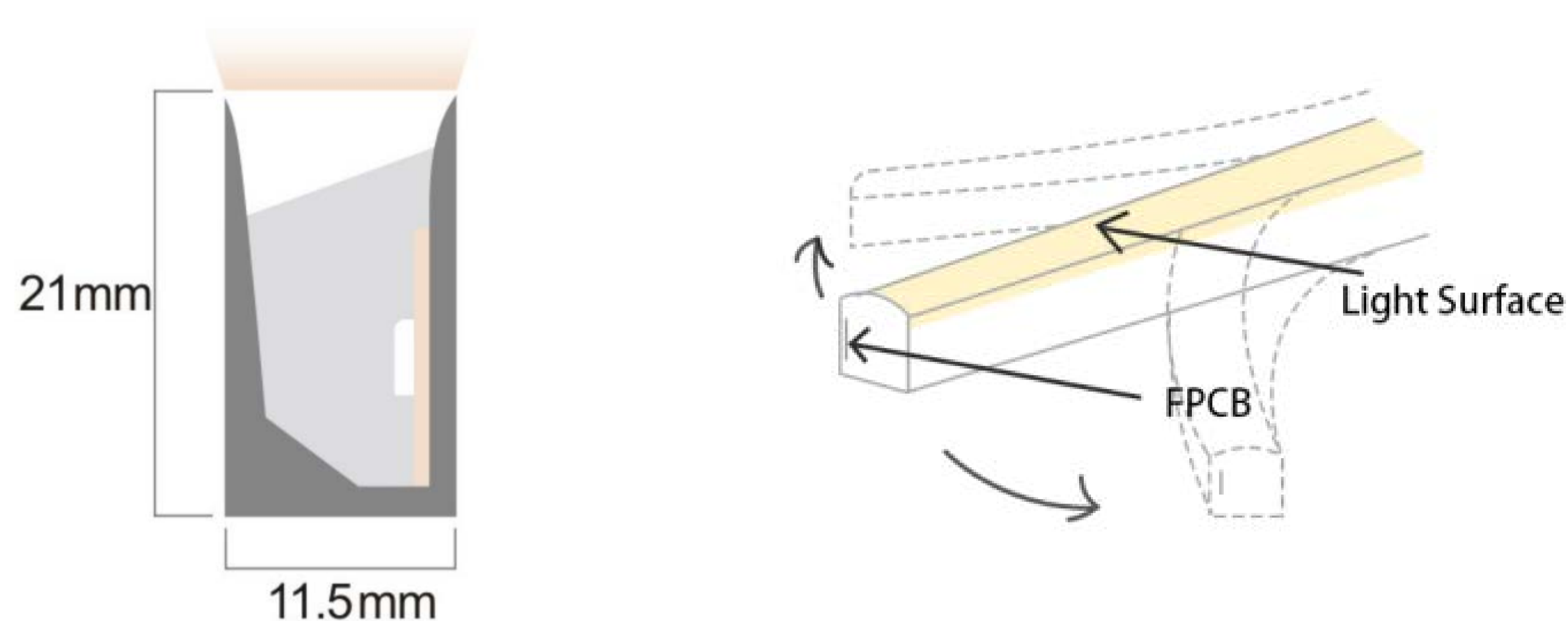
PVC / Silicon



**RoHS**



# 1. Specifications



## 1.1 Technical Parameters

NO.	MODEL NO.	LED COLOR	VOLTAGE	WORKING MODE	POWER /M	LED QTY /M	MIN. CUTTING LENGTH	CONTINUOUS LENGTH	MAX. IP RATING
1	SF11-HB-B-CV24-84-R80-6W-71.4	White / Green / Blue	24V	CV	6W	84pcs	71.4mm	20m	IP68
2	SF11-HB-B-CV24-72-R80-7.8W-125	Red	24V	CV	7.8W	72pcs	125mm	16m	IP68
3	SF11-HB-B-CV24-84-R80-9W-71.4	White / Green / Blue	24V	CV	9W	84pcs	71.4mm	14m	IP68
4	SF11-HB-B-CV24-84-R80-12W-71.4	White / Green / Blue	24V	CV	12W	84pcs	71.4mm	10m	IP68
5	SF11-HB-B-CV24-120-R80-12W-50	White / Green / Blue	24V	CV	12W	120pcs	50mm	10m	IP68
6	SF11-HB-B-CC24-84-R80-6W-71.4	White / Green / Blue	24V	CC	6W	84pcs	71.4mm	30m	IP68
7	SF11-HB-B-CC24-72-R80-7.8W-125	Red	24V	CC	7.8W	72pcs	125mm	22m	IP68
8	SF11-HB-B-CC24-84-R80-9W-71.4	White / Green / Blue	24V	CC	9W	84pcs	71.4mm	20m	IP68
9	SF11-HB-B-CC24-84-R80-12W-71.4	White / Green / Blue	24V	CC	12W	84pcs	71.4mm	18m	IP68
10	SF11-HB-B-CC24-84-R80-14W-71.4	White / Green / Blue	24V	CC	14W	84pcs	71.4mm	15m	IP68

## 1.2 Optical Parameters

MODEL NO:

SF11-HB-B-CV24/CC24-Ra80

Lumen/m (±5%)

Color	CCT / Wavelength	6W/m	7.8W/m	9W/m	12W/m	14W/m
2200K	2238K ±102K	170lm	/	240lm	310lm	340lm
2700K	2725K ±145K	170lm	/	240lm	310lm	340lm
3000K	3045K ±175K	190lm	/	250lm	330lm	370lm
3500K	3465K ±245K	210lm	/	270lm	360lm	400lm
4000K	3985K ±275K	210lm	/	270lm	360lm	400lm
5000K	5029K ±283K	210lm	/	270lm	360lm	400lm
5700K	5667K ±355K	230lm	/	290lm	380lm	410lm
6500K	6532K ±510K	230lm	/	290lm	380lm	410lm
Green	520-530nm	120lm	/	170lm	220lm	250lm
Blue	465-475nm	25lm	/	34lm	40lm	55lm
Red	620-630nm	/	120lm	/	/	/

**Notes:**

- Ra90 and Ra95 for white color customizable.
- More colors available - yellow / lemon yellow / orange / amber / pink / purple / turquoise.

## 2. Connectors

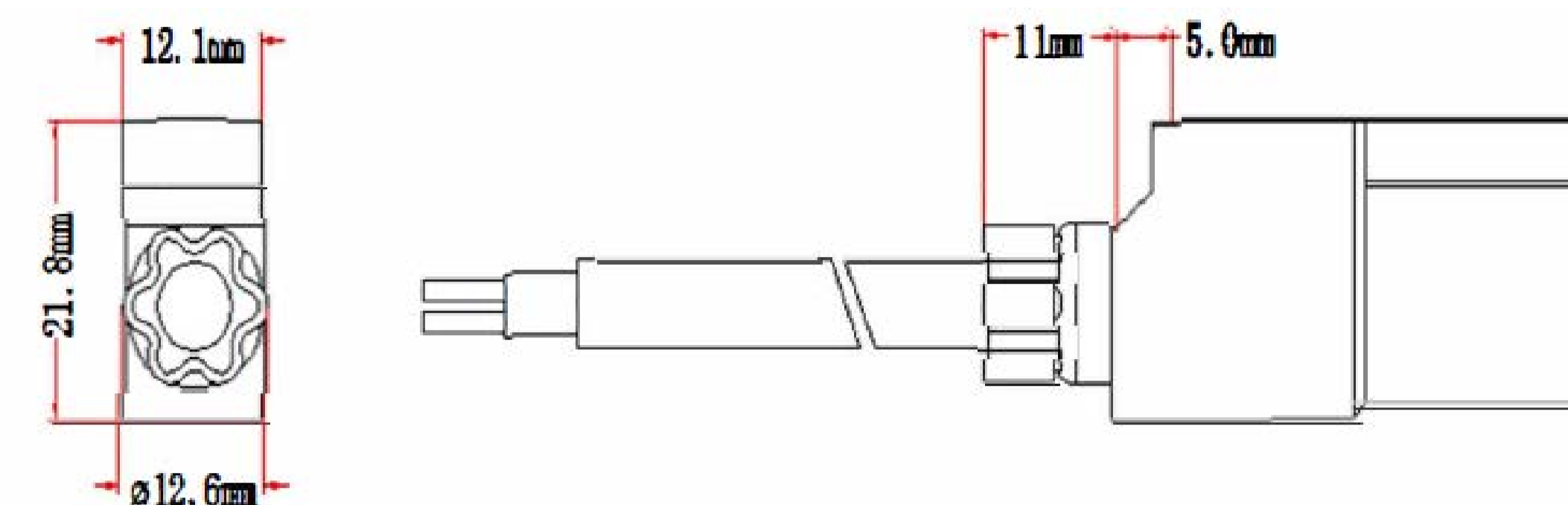
### 2.1 Injection-moulded Connector

▶ IP67 Injection-moulded Front Connector - Direct



**SF11-IM-D**

Factory pre-installed  
Cable Output: direct  
Standard Cable Length: **0.5m /1m /2m /3m**

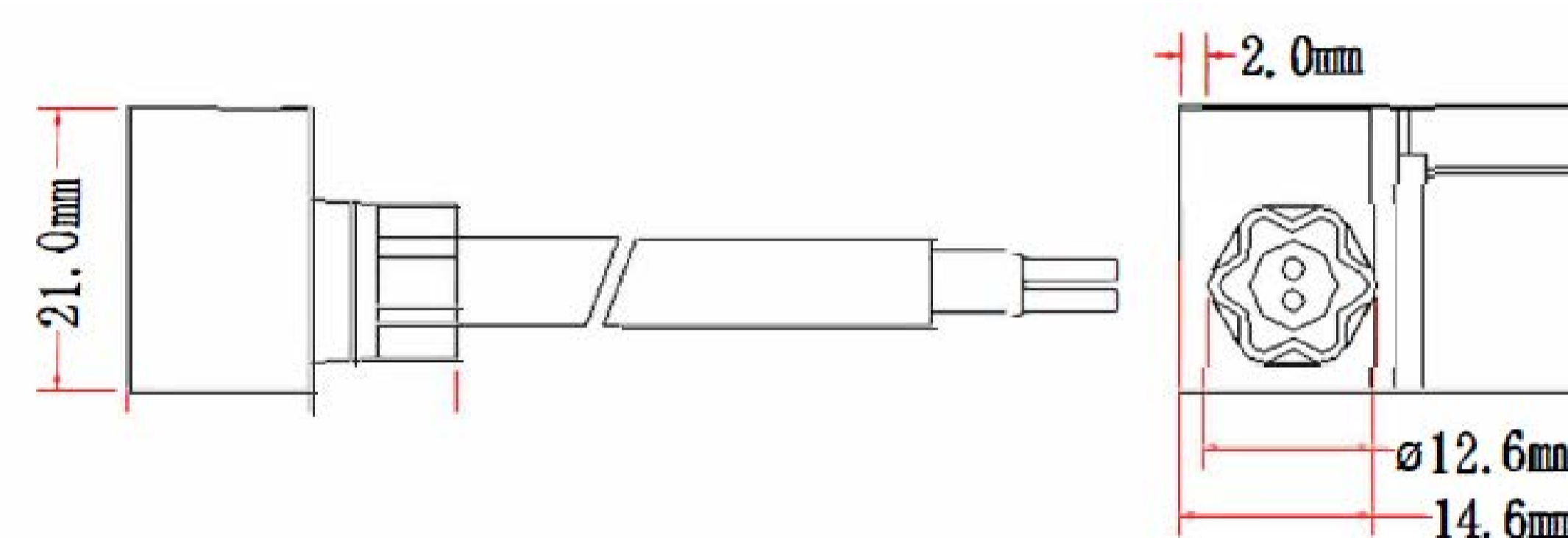


▶ IP67 Injection-moulded Front Connector - Side



**SF11-IM-S**

Factory pre-installed  
Cable Output: direct  
Standard Cable Length: **0.5m /1m /2m /3m**

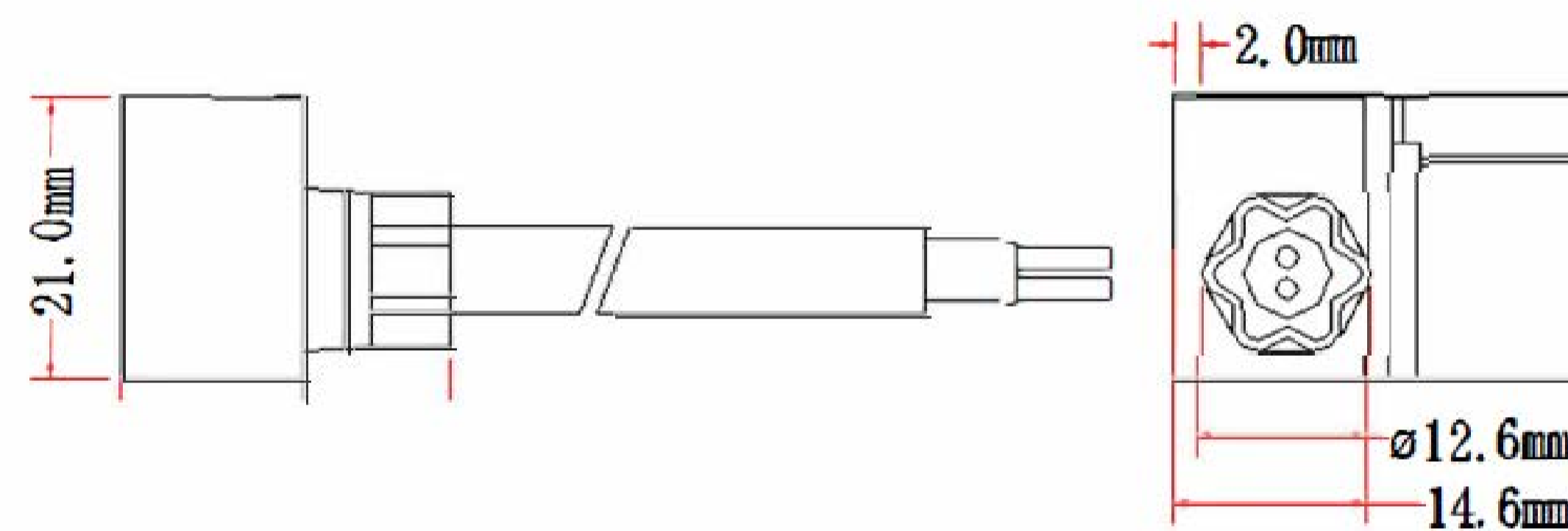


▶ IP67 Injection-moulded Front Connector - Side



**SF11-IM-B**

Factory pre-installed  
Cable Output: direct  
Standard Cable Length: **0.5m /1m /2m /3m**

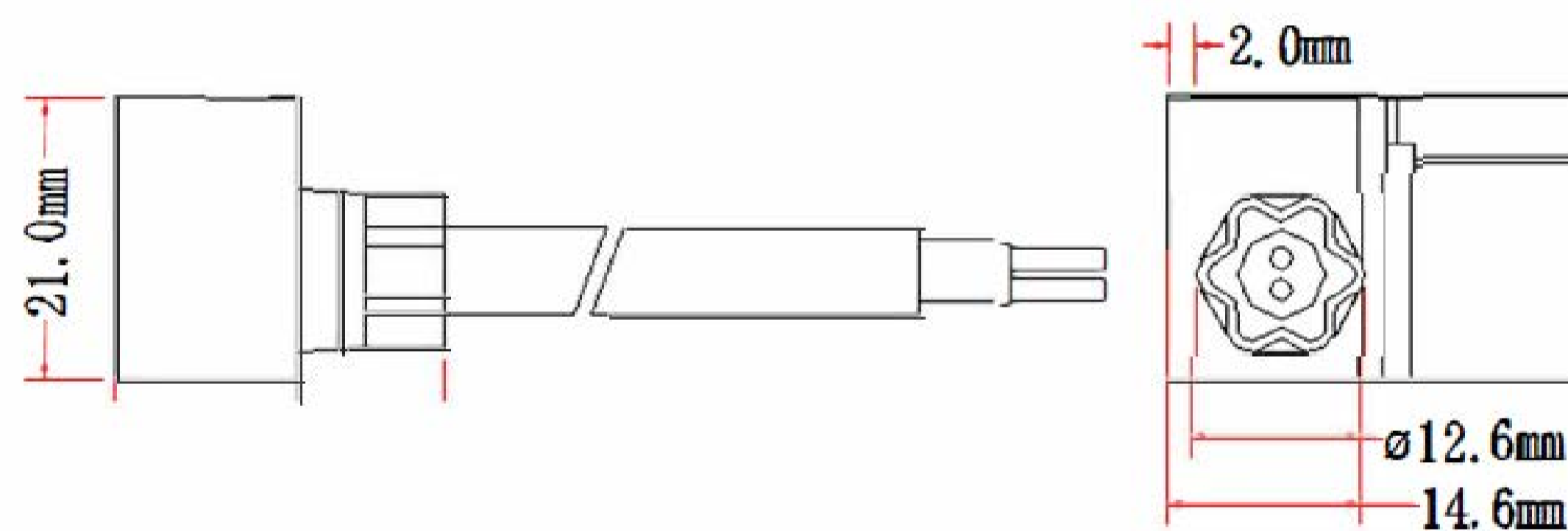


▶ IP67 Injection-moulded Front Connector - Side



**SF11-IM-S**

Factory pre-installed  
Cable Output: direct  
Standard Cable Length: **0.5m /1m /2m /3m**

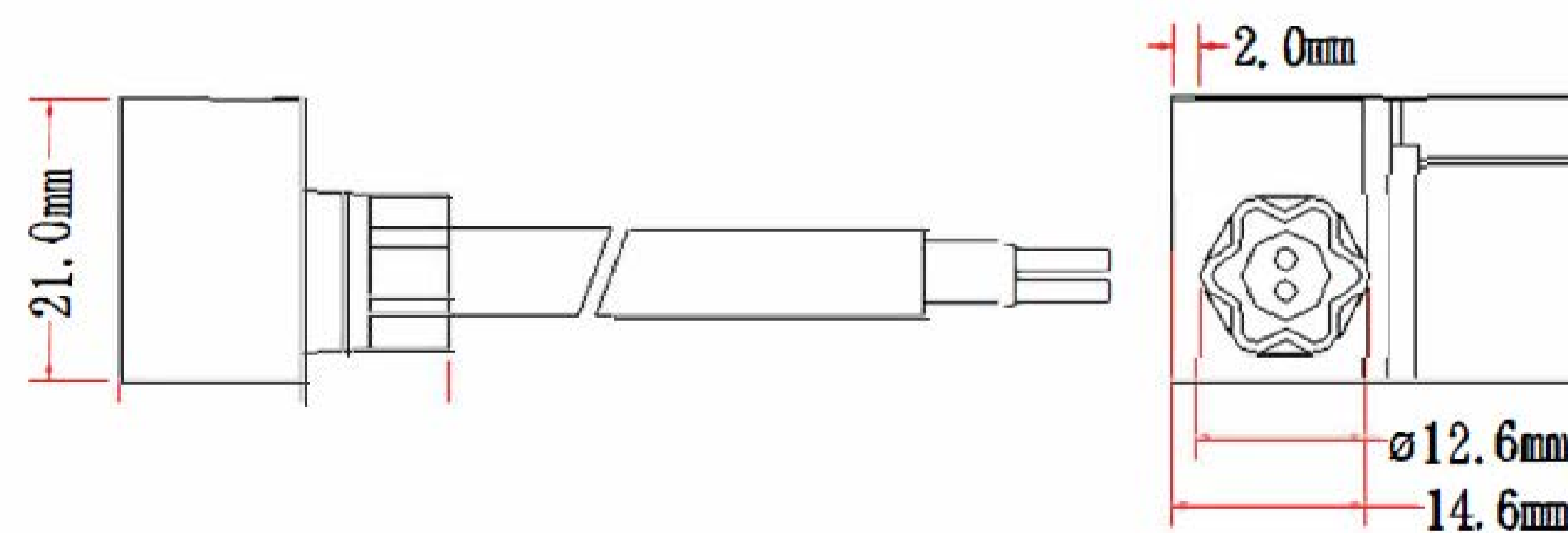


▶ IP67 Injection-moulded Front Connector - Side



**SF11-IM-S**

Factory pre-installed  
Cable Output: direct  
Standard Cable Length: **0.5m /1m /2m /3m**

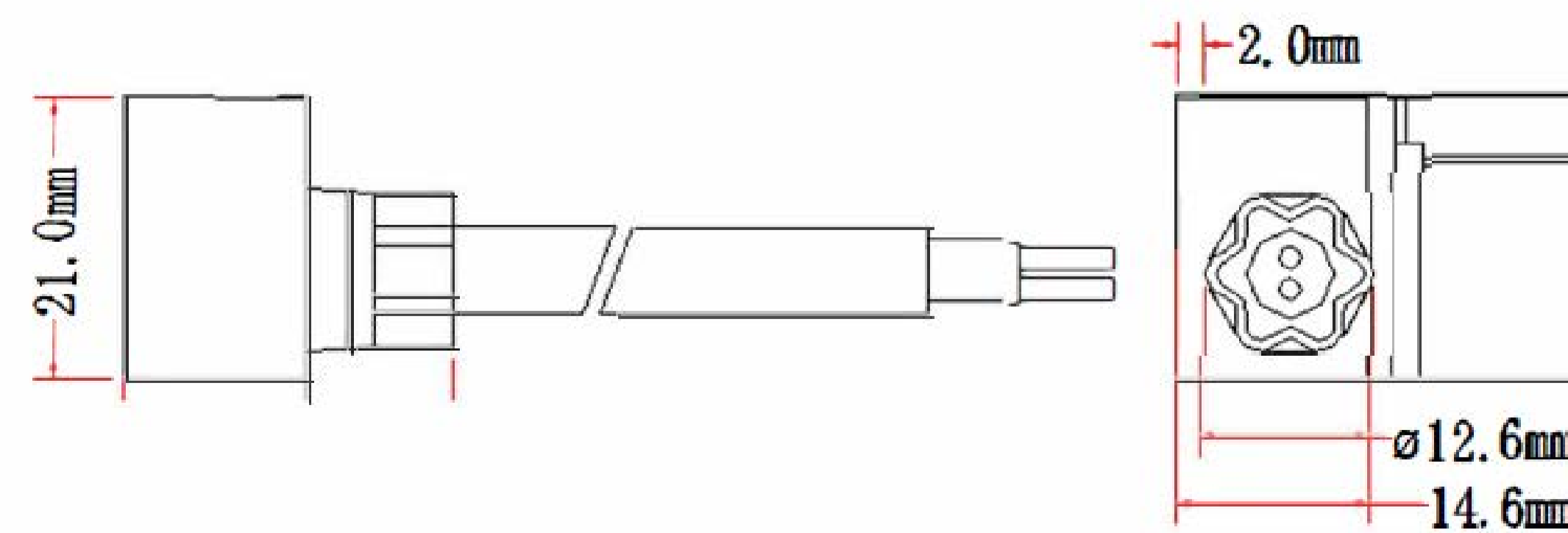


▶ IP67 Injection-moulded Front Connector - Side



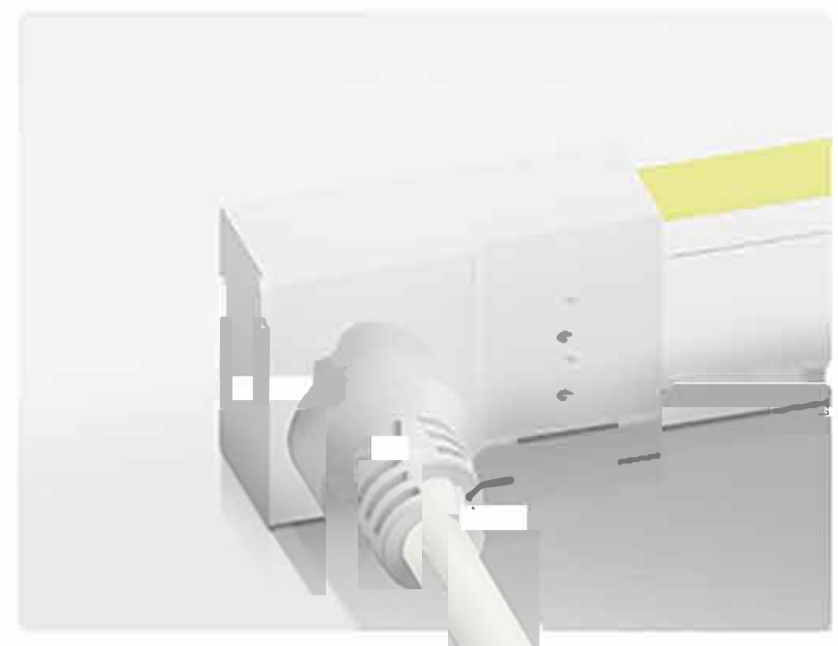
**SF11-IM-S**

Factory pre-installed  
Cable Output: direct  
Standard Cable Length: **0.5m /1m /2m /3m**

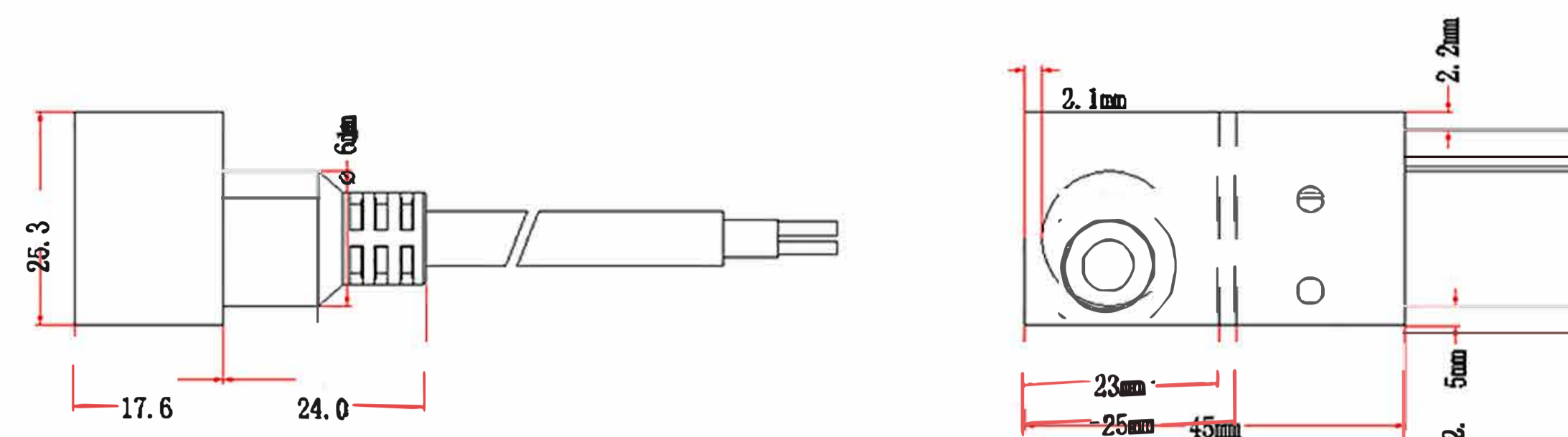


▼ IP68 Dual Injection-moulded Front Connector - Side

SF11-DI-FC-side



Factory pre-installed  
Cable Output: side  
Standard Cable Length:  
**0.5m /1m /2m /3m**

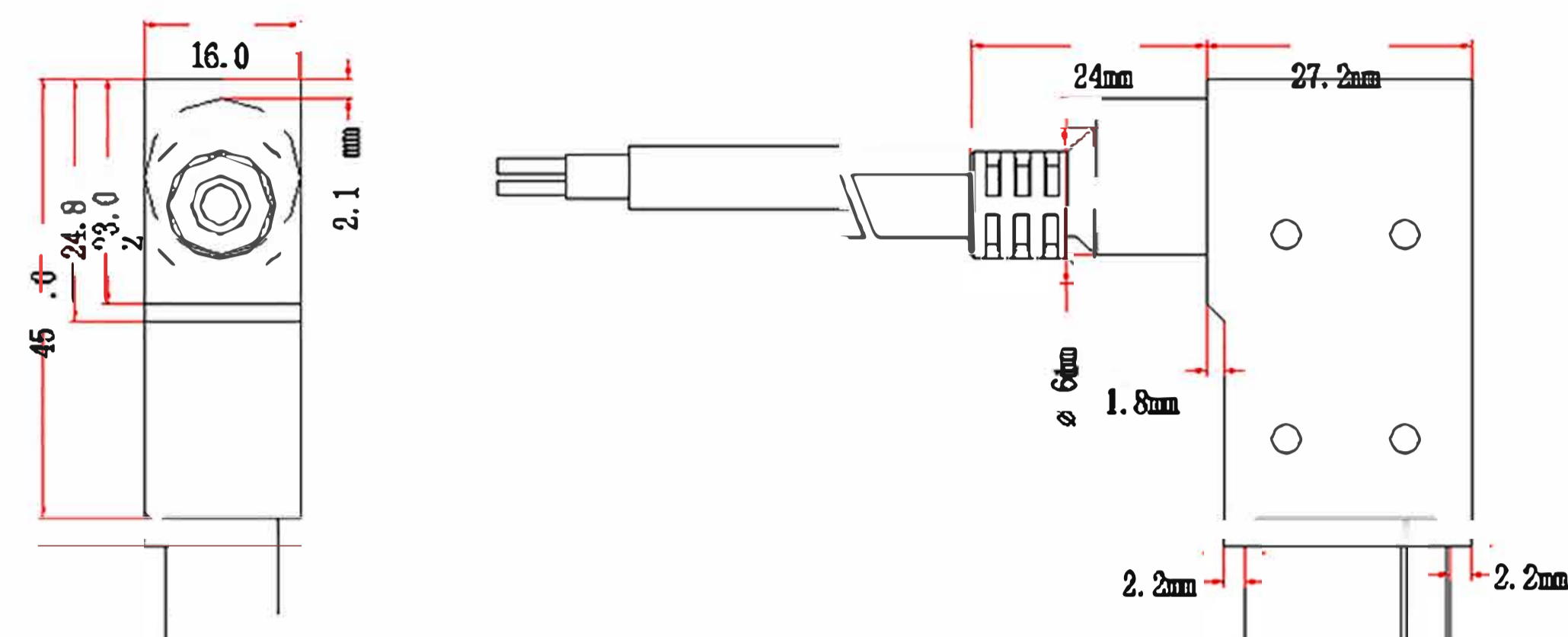


▼ IP68 Dual Injection-moulded Front Connector - Bottom

SF11-DI-FC-bottom

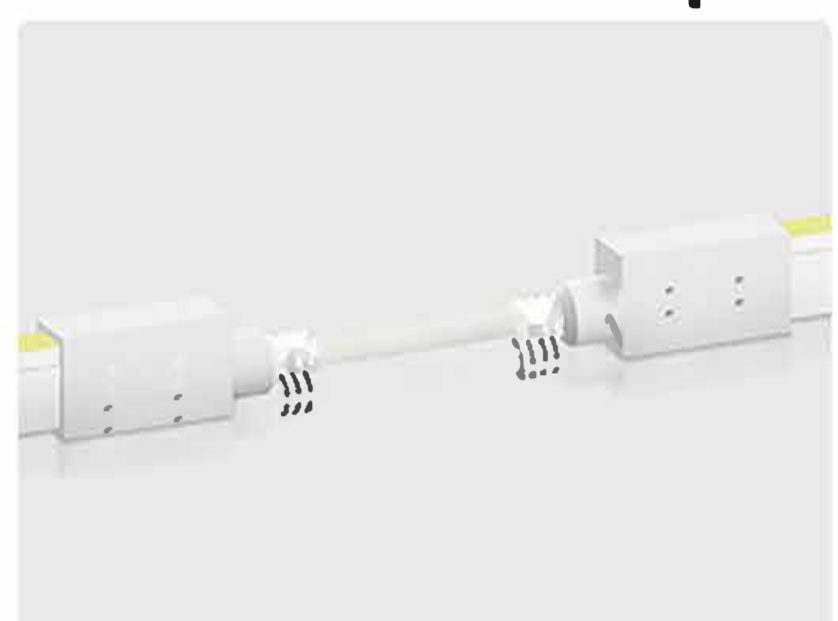


Factory pre-installed  
Cable Output: bottom  
Standard Cable Length:  
**0.5m /1m /2m /3m**

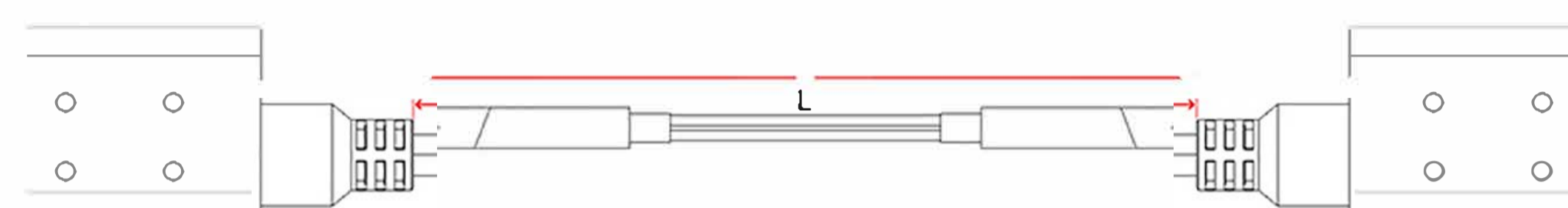


▼ IP68 Dual Injection-moulded Jumper

SF11-DI-JP-Direct

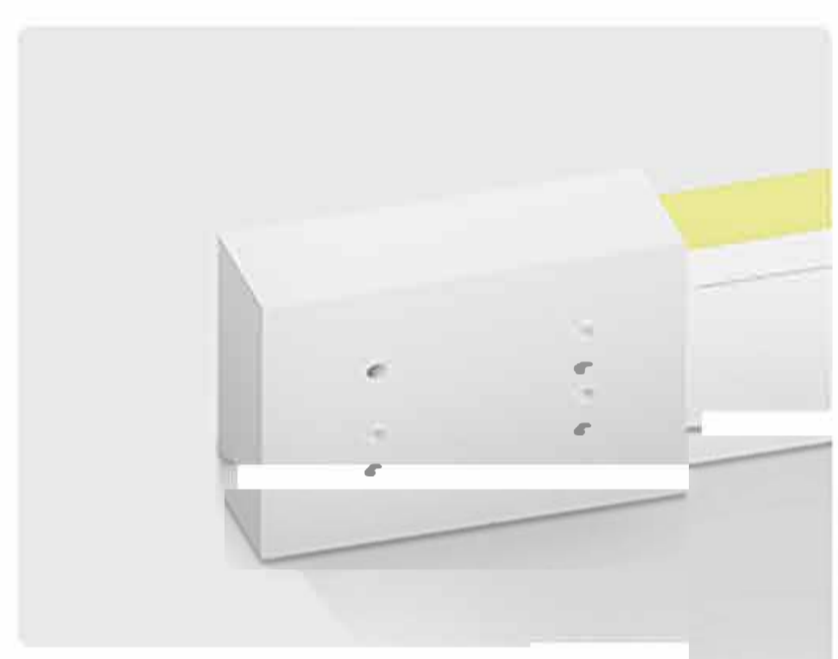


Factory pre-installed  
Cable Output: direct  
Custom Cable Length:  
**0.2~2m**

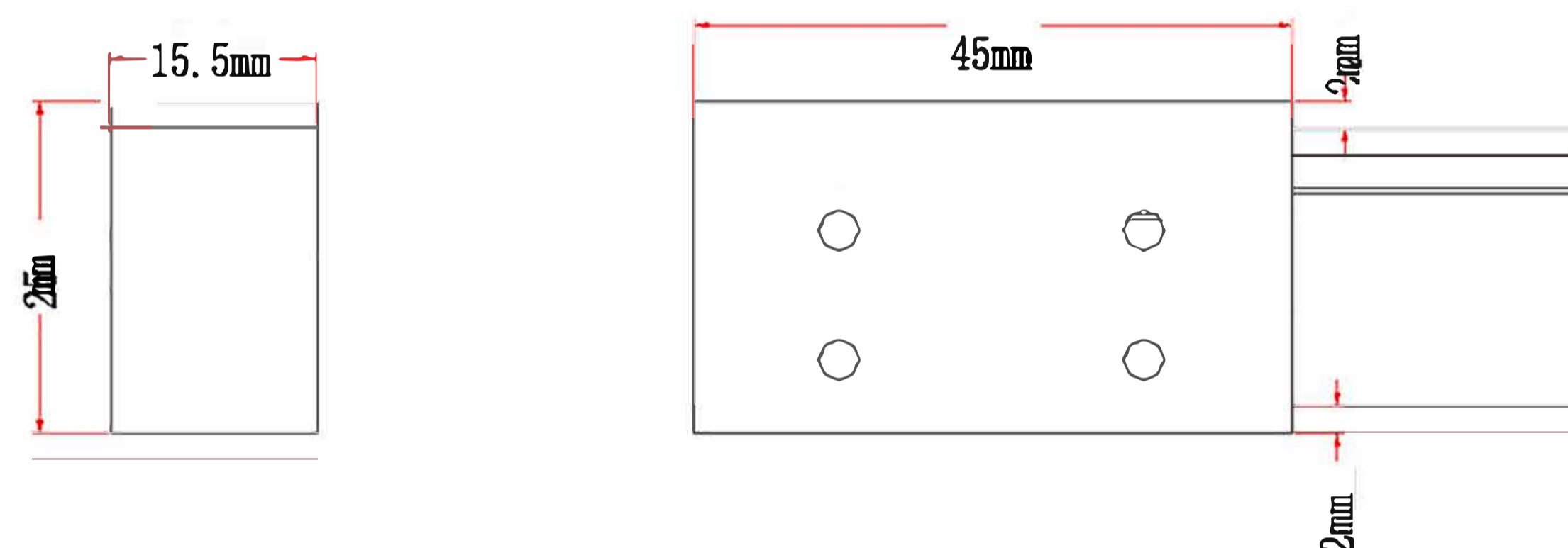


▼ IP68 Dual Injection-moulded End Cap

SF11-DI-EC



Factory pre-installed



▼ Sleeve Front Connector - DIY IP67

SF11-SL-FC-Direct

DIY type, can be installed on site  
Cable Output: direct  
Standard Cable Length:  
**0.5m /1m /2m /3m**

▼ Sleeve Jumper - DIY IP67

SF11-SL-JP-Direct

DIY type, can be installed on site  
Cable Output: direct  
Standard Cable Length:  
**0.2~2m**

▼ Sleeve End Cap - DIY IP67

SF11-SL-EC

DIY type, can be installed on site

▼ Screw Front Connector - DIY IP68

SF11-SC-FC-Direct

DIY type, can be installed on site  
Cable Output: direct  
Standard Cable Length:  
**0.5m /1m /2m /3m**

---

**▼ Screw Jumper - DIY IP68**

SF11-SC-JP-Direct

DIY type, can be installed on site  
Cable Output: direct  
Custom Cable Length:  
**0.2~2m**

---

**▼ Screw End Cap - DIY IP68**

SF11-SC-EC

DIY type, can be installed  
on site

---

**▼ Clasp Front Connector - DIY IP67**

SF11-CL-FC-Direct

DIY type, can be installed on site  
Cable Output: direct  
Standard Cable Length:  
**0.5m /1m /2m /3m**

---

**▼ Clasp Jumper - DIY IP67**

SF11-CL-JP-Direct

DIY type, can be installed on site  
Cable Output: direct  
Custom Cable Length:  
**0.2~2m**

---

**▼ Clasp End Cap - DIY IP67**

SF11-CL-EC

DIY type, can be installed  
on site

---

**▼ Seamless Middle Connector - DIY IP65**

SF11-CL-MC

DIY type, can be installed  
on site

---

**▼ Sleeve End Cap - DIY IP67**

SF11-SL-EC

DIY type, can be installed  
on site

---

**▼ Seamless Power T-Feed - DIY IP44**

SF11-CL-MTF

DIY type, can be installed on site  
Cable Output: side  
Standard Cable Length:  
**0.4m**

---